

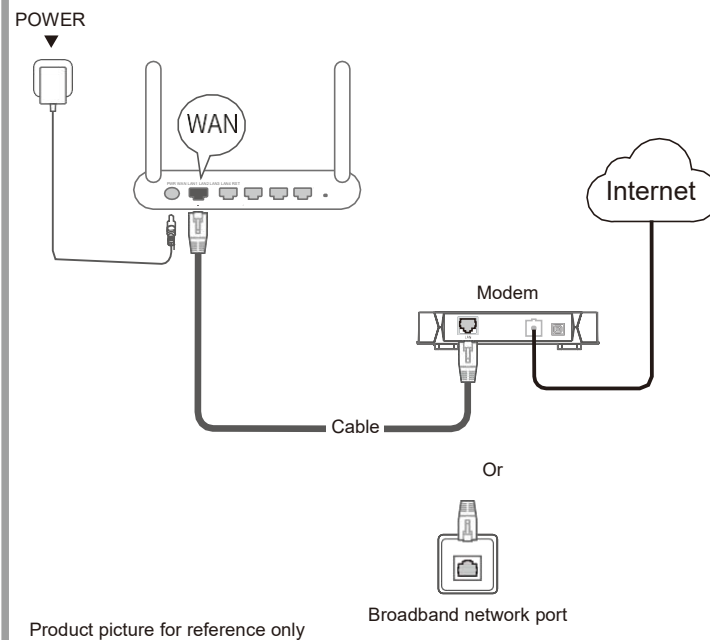
Wireless Router Fast Installation Guide

For Better Wireless

Router Settings

Step 1: Connect router to Internet(or WAN)

- Power on the router with power adapter inside the box till PWR indicator light is on.
- Connect router WAN port to modem or broadband network port with cable till the WAN indicator light is on.



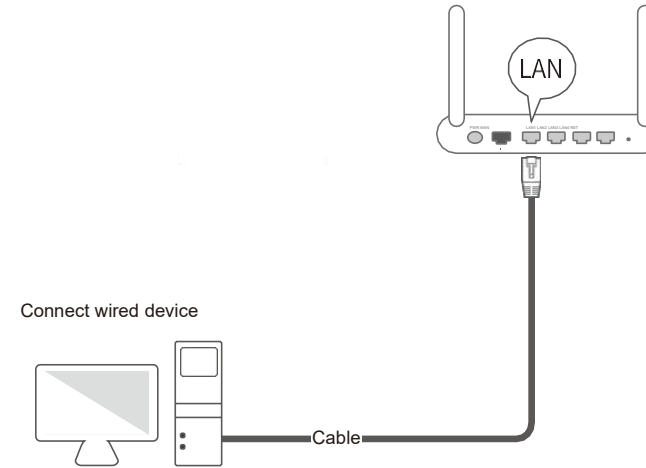
Step 2: Clients connect router

Method 1: Connect the device such as mobile phone to the router wireless.
The default wireless SSID and password are on the bottom sticker of router.

Connect wireless device

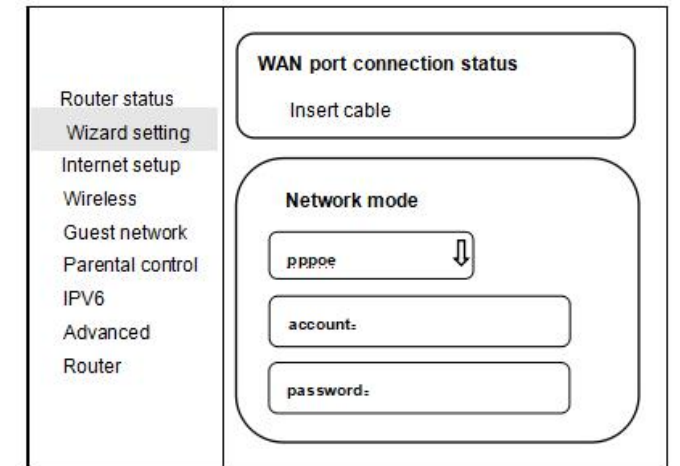


Method 2: Connect the device to router LAN port with cable



Step 3: Internet settings (Example for PPPOE dialing internet)

- When PC or mobile phone is connected to the router, open a browser and access 192.168.10.1
- Enter the initial login password: admin
- Click to enter the management page--setting wizard--broadband dialing
- Enter the broadband account and password, click Next to set the wifi name and password, the setting is complete



After the setting is successful, use the computer to connect to the router LAN port or connect to the router wifi to get online
If you use other Internet methods, you can choose from the Internet method

Indicator, Interface and Button Description

Indicator	Description
	Power indicator light, it is on when working normally
	2.4G wireless connection indicator light, it is on when working normally
	2.4G wireless connection indicator light, it is on when working normally
	5G wireless connection indicator light, it is on when working normally
WAN	The indicator light is on when it is connected normally
LAN	The indicator light is on when it is connected normally

Interface/Button	Description
LAN	Internal network port, used to connect to the network port of the switch or PC.
WAN	External network port, used to access the Internet.
PWR	Power line port for connecting with power.
WPS	Short pressing the button is WPS function (requires device supports it)
RST	press and hold the button for 5 seconds and then release it, the device will restore to factory settings.

Warnings:

- Do not remove the device power supply and all connections to avoid lightning damage during thunderstorms.
- Install the device far away from the high-power radio and radar launch pad.
- Please pay attention to waterproof in the storage, transportation and operating environment.
- Use rated power adapter of device.

Product Warranty Certificate

Respected user:
First of all, thank you for choosing this product. In order to let us serve you better, please read this instruction carefully and save this quality assurance card after purchasing. The product warranty period is 1 year (365 days) from the date you purchased the product.

- User notice:
In the following cases, we will charge a certain material cost or repair labor fee as appropriate when performing maintenance. Please refer to the local customer service center for specific charges.
- The product or its components have exceeded the warranty period.
 - Any damage incurred during transportation or removal.
 - Any damage or defect caused by disassembling, repairing and modification of the product without the authorization of the manufacturer.
 - Any damage or defect caused by not following the usage and precautions written in the operation manual.
 - Any damage or defect due to natural factors such as irresistibility.
 - If the product warranty certificate that fails to be presented or presented does not match the product or has a false record, then it is not responsible for free maintenance.

In order to protect your rights and interests, please fill it out carefully and keep it properly as a voucher for maintenance.

Dealer Information	Product Model		Dealer Name	
	Serial Number		Contact Number	
			Sale Date	
User Information	User Address		Contact Number	
	Contact Address		E-mail	

Electronic Information Products Declaration of Toxic and Hazardous Substances						
Name(Parts)	Poisonous and harmful substance or element					
	Pb	Hg	Cd	Cr6+	PBB	PBDE
Substrate unit	○	○	○	○	○	○
Board/circuit module	×	○	○	○	○	○
Adapter	×	○	○	○	○	○
Cable	○	○	○	○	○	○
Appendix	○	○	○	○	○	○

This form has been prepared in accordance with the provisions of SJ/T 11364.

○: Indicates that the content of this poisonous and hazardous substance in all homogeneous materials of this part is below the limit requirement specified in GB/T 26572

×: Indicates that the poisonous or hazardous substance contained in at least one of the homogeneous materials of the part exceeds the limit requirement of GB/T 26572. However, due to global technical restrictions, there is currently no mature alternative in the industry.



This environmental protection period applies only to that work under the specified in the user manual.

- Operating Temperature: 0°C-40°C; Operating Humidity: (10-90) %RH, no condensation.
- The power outlet should be installed near the equipment and should be easily accessible.

